



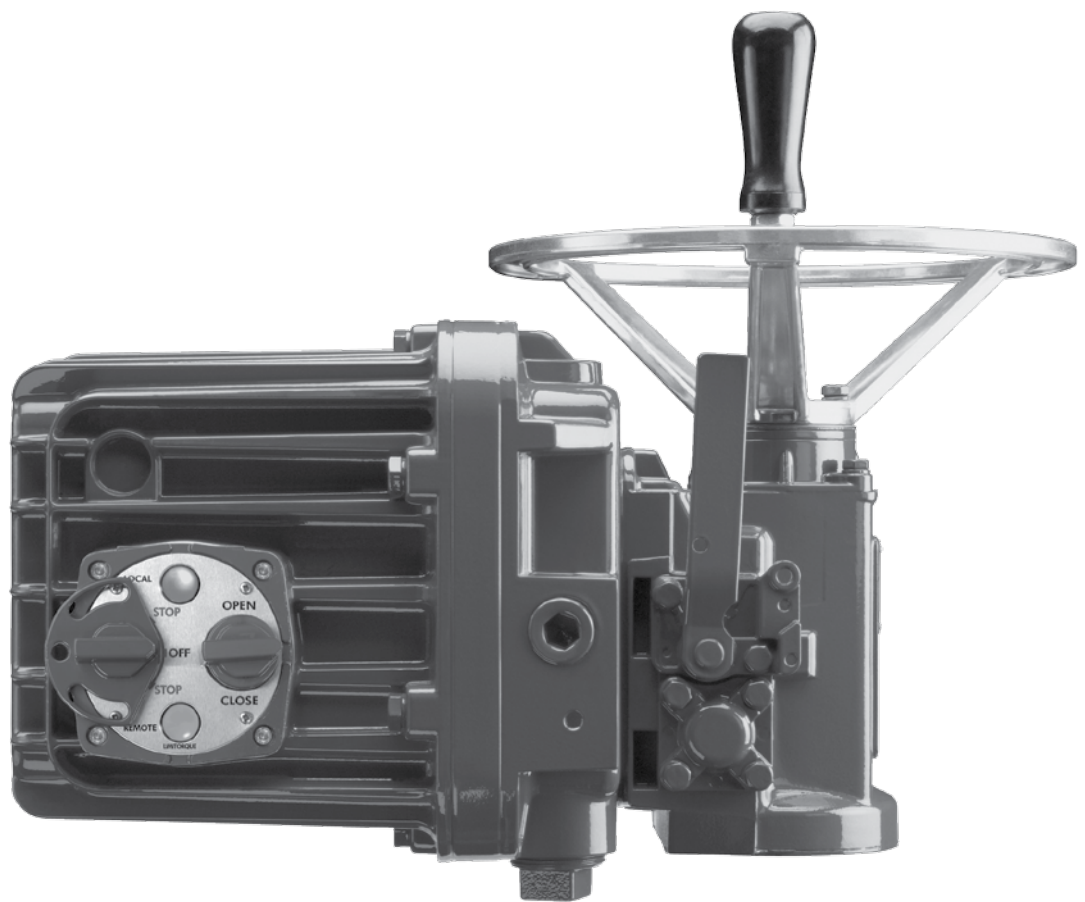
# *USER INSTRUCTIONS*

## *Limitorque Actuation Systems L120 Series*

For L120-10 through L120-40

FCD LMENIM1201-03 – 04/12

*Installation*  
*Operation*  
*Maintenance*



*Experience In Motion*

# Contents

1	Introduction	4
1.1	Purpose	4
1.2	User Safety	4
2	Product Capabilities and Features	5
2.1	Initial Inspection and Storage Instructions	5
2.2	Product Identification	5
2.3	Inspection and Recording	7
2.4	Storage Procedures	7
2.4.1	Short-Term Storage (less than 1 year)	7
3	Actuator Weights	8
4	Installation Instructions	9
4.1	Safety Precautions	9
4.2	Safety Practices	9
4.3	Initial Actuator Preparation	10
4.3.1	Mounting Base	10
4.3.2	Stem Acceptance	10
4.4	Torque Switch	11
4.4.1	Setting Torque Switch	11
4.4.2	Balancing Torque Switch	12
4.5	Geared Limit Switch	12
4.5.1	Setting Limit Switch	12
4.5.2	Setting Procedure (Refer to Figure 4.2)	13
4.5.3	Combination of Contacts (Refer to Figure 4.2)	14
4.6	Position Indication	14
4.6.1	Local position indication	14
4.6.2	Remote Position Indication	15
4.7	Optional Side-Mounted Handwheel	16

5	Operation	19
5.1	Electrical Start-up	19
5.2	Manual Operation	20
5.3	Motor Operation	25
5.4	Torque and Travel Limiting	25
6	Maintenance	26
6.1	Lubrication	26
6.1.1	Lubrication Inspection	26
6.1.2	Factory Lubricant	27
6.2	Minimum Lubricant Qualities Required	27
6.3	Disassembly and Reassembly	28
6.4	Disassembly of the L120-10, 20, and 40	28
6.5	Drive Sleeve and Housing Cover Disassembly	29
6.6	Torque Nut Disassembly (Drive 1 Option)	29
6.7	Thrust Base Disassembly (Drive 2 Option)	30
6.8	Stem Nut Replacement – Thrust Base Applications	30
6.9	Reassembly	31
6.9.1	Declutch Assembly (L120-10)	32
6.9.2	Declutch Assembly (L120-20/40) (Refer to Figure 6.3)	32
6.9.3	Install the Motor (Refer to Figure 5.2)	33
6.9.4	Lubrication Procedure	33
6.9.5	Install Geared Limit Switch, Torque Switch and Finish Assembly	33
7	How to Order Parts	34
8	Regulatory Information	35

# 1

## Introduction

### 1.1 Purpose

This Installation and Maintenance Manual explains how to install and maintain the L120-10, L120-20, and L120-40 actuators. Information on installation, disassembly, reassembly, lubrication, and parts is provided.

### 1.2 User Safety

Safety notices in this manual detail precautions the user must take to reduce the risk of personal injury and damage to the equipment. The user must read and be familiar with these instructions before attempting installation, operation, or maintenance. Failure to observe these precautions could result in serious bodily injury, damage to the equipment, voiding of the warranty, or operational difficulty.

Safety notices are presented in this manual in three forms:

⚠ **WARNING:** Refers to personal safety. Alerts the user to potential danger. Failure to follow warning notices could result in personal injury or death.

▲ **CAUTION:** Directs the user's attention to general precautions that, if not followed, could result in personal injury and/or equipment damage.

**NOTE:** Highlights information critical to the user's understanding of the actuator's installation and operation.

# 2

## Product Capabilities and Features

L120 Series actuators operate without modification in any rising or non-rising stem application for linear action valves.


The actuators meet rigid safety requirements. The actuators are available in weatherproof, explosion-proof, and submersible configurations.

The actuators are compatible with a wide range of control options from stand-alone units with local pushbutton to open standards-based DDC-100 networks with up to 250 actuators.

The actuators are designed with integral control packages including plug-in interconnect boards that increase control functionality for stand-alone or networked units.

Durable torque overload is provided in both directions of travel.

### 2.1 Initial Inspection and Storage Instructions

 **WARNING:** Read this Installation and Maintenance Manual carefully and completely before attempting to store the actuator. Be aware of the electrical hazards.

### 2.2 Product Identification

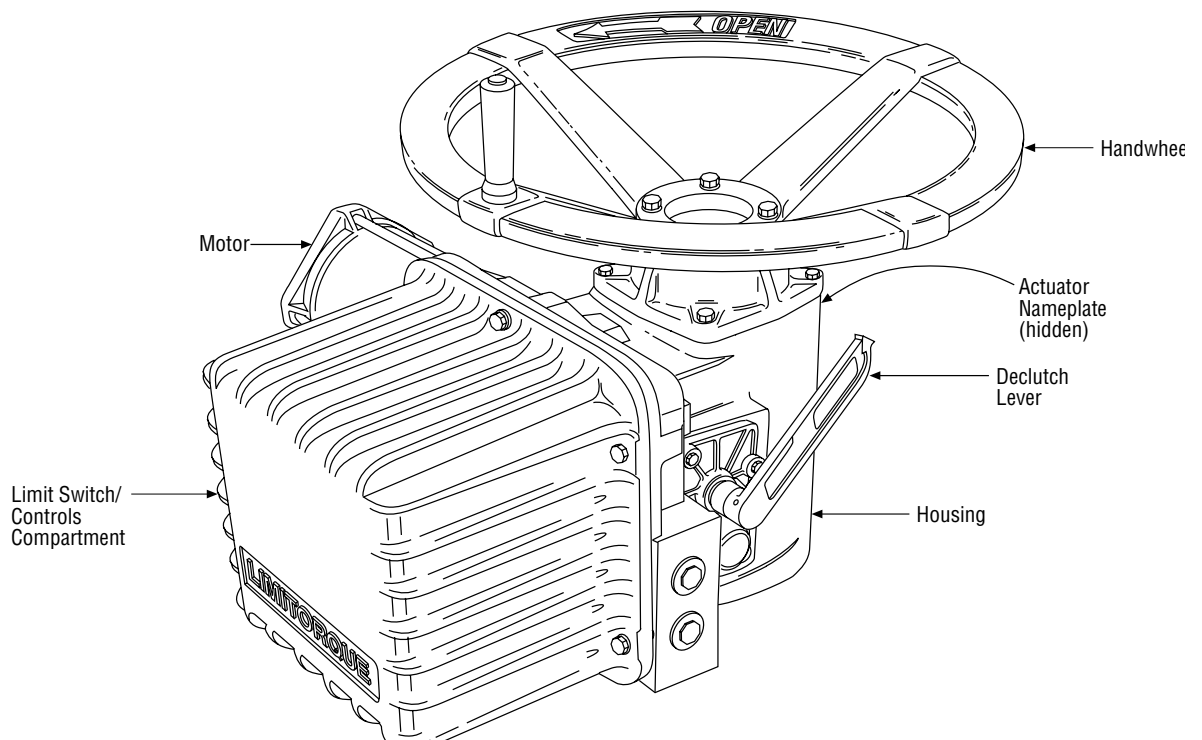
The actuator unit nameplate is located on the back of the unit, opposite the limit switch compartment. The nameplate contains the following information:

- Limitorque name
- Point of Manufacture
- Unit Size
- Order Number
- Serial Number
- Customer Tagging
- CE Stamp

The motor nameplate is located on the motor. The nameplate contains the following information:

- ID Number
- Start Torque
- Run Torque
- Enclosure Type
- RPM
- Volts
- Full Load Amps
- Locked Rotor Amps
- Insulation Class
- Duty
- Horsepower
- Service Factor
- Phase
- Cycles
- Motor Code
- Ambient Temperature
- Connection Diagram

Figure 2.1 – L120-10 through 40



## 2.3 Inspection and Recording

Upon receipt of the actuator, inspect the condition of the equipment and record nameplate information as follows:

1. Carefully remove actuator from shipping carton or skid. Thoroughly examine the equipment for any physical damage that may have occurred during shipment. If damaged, immediately report the damage to the transport company.
2. Record the actuator nameplate information for future reference; i.e. ordering parts, obtaining further information.

## 2.4 Storage Procedures

**NOTE:** The following are our recommended storage procedures to retain maximum product integrity during short-term storage. Failure to comply with recommended procedures will void the warranty. For longer-term storage, contact Limitorque for procedures and recommendations.

### 2.4.1 Short-Term Storage (less than 1 year)

Actuators are not weatherproof until properly installed on the valve or prepared for storage.

Store actuators in a clean, dry, protected warehouse away from excessive vibration and rapid temperature changes. If the actuators must be stored outside, they must be stored off the ground, high enough to prevent them from being immersed in water or buried by snow.

1. Position the actuator in storage with motor and switch compartment horizontal.
2. Connect the internal heaters (if supplied) or place desiccant in the switch compartment.
3. Replace all plastic caps or plugs with pipe plugs and ensure that all covers are tight.
4. If the actuator is mounted on a valve and the stem protrudes from the unit, a suitable stem cover must be provided.

# 3 Actuator Weights

The approximate L120 actuator weights are provided below:

Table 3.1 – Actuator weights

Actuator Size	Control Types	Drive 1 Weight (lb./kg)				Drive 2 Weight (lb./kg)			
		Top HW		Side HW		Top HW		Side HW	
		lb.	kg	lb.	kg	lb.	kg	lb.	kg
L120-10	NCU	100	45	112	51	107	49	119	54
	BIC	115	52	127	58	122	55	134	61
	CLAMSHELL	140	64	152	69	147	67	159	72
L120-20	NCU	140	64	158	72	153	69	171	78
	BIC	155	70	173	78	168	76	186	84
	CLAMSHELL	180	82	198	90	193	88	211	96
L120-40	NCU	190	86	216	98	212	96	238	108
	BIC	205	93	231	105	227	103	253	115
	CLAMSHELL	230	105	256	116	252	114	278	126



# 4 Installation Instructions

## 4.1 Safety Precautions

- ⚠ **WARNING:** Read this Installation and Maintenance Manual carefully and completely before attempting to install, operate, or troubleshoot the Limitorque L120 actuator.
- ⚠ **WARNING:** Be aware of electrical hazards. Turn off incoming power before working on the actuator and before opening the switch compartment.
- ⚠ **WARNING:** Potential HIGH-PRESSURE vessel – Be aware of high-pressure hazards associated with the attached valve or other actuated device when installing or performing maintenance on your L120 actuator. Do not remove the actuator mounting bolts when the actuator is mounted on a rising stem valve unless the valve is in the FULLY OPEN position and there is NO pressure in the line.
- ⚠ **WARNING:** Do not manually operate the actuator with devices other than installed Handwheel and Declutch Lever. Using force beyond the ratings of the unit and/or using additive force devices such as cheater bars, wheel wrenches, pipe wrenches, or other devices on the actuator Handwheel or Declutch Lever may cause serious personal injury and/or damage to the actuator or valve.
- ⚠ **WARNING:** Do not work on the actuator while it is mounted on a torque-seated valve.

## 4.2 Safety Practices

The following checks should be performed to maintain safe operation of the L120 actuator.

- Mount motors on a horizontal plane, if possible.
- Keep the switch compartment clean and dry.
- Keep the valve stem clean and lubricated.
- Set up periodic operating schedule for infrequently used valves.

- Carefully check for correct motor rotation direction. If the motor is driving the valve in the wrong direction, interchange any two leads on three-phase motors or switch the armature leads on DC and single-phase motors.
- Use a protective stem cover. Check valve stem travel and clearance before mounting covers on rising stem valves.
- Verify all actuator wiring is in accordance with the applicable wiring diagram, national and local codes, and Table 4.1.

Table 4.1 – Required Rating for External Wiring

Up to:	Use wire rated at least:
40°C	60°C
60°C	75°C

### 4.3 Initial Actuator Preparation

Replace all molded plastic conduit and top protectors (installed for shipping purposes only) with pipe plugs when installation wiring is complete.

#### 4.3.1 Mounting Base

The mounting hole sizes and quantities are as detailed in Table 4.2.

Table 4.2 – Mounting Base Dimensions

Actuator Size	Mounting Holes	Tap size	
	Quantity	MSS	ISO
L120-10	4	3/8-16x0.88	M10x1.5x22.4
L120-20	4	5/8-11x1.25	M16x2x32
L120-40	4	5/8-11x1.25	M16x2x32

#### 4.3.2 Stem Acceptance

The maximum stem acceptance is provided in Table 4.3.

Table 4.3 – Maximum Stem Acceptance

Actuator size	Drive 2		Drive 1			
	Tapped		Bore		Key	
	inch	mm	inch	mm	inch	mm
L120-10	1.25	32	1.00	25	1/4x3/32	8x6
L120-20	2.25	57	1.875	47	1/2x3/16	14x9
L120-40	2.625	66	2.125	52	1/2x3/16	16x10

## 4.4 Torque Switch

The torque switch is designed to protect the actuator in open and close directions.

**▲ CAUTION:** Disconnect all incoming power before opening limit switch compartment or working on the torque switch.

- Do not use abrasive cloth to clean the contacts on the torque switch.
- Do not torque seat 90° operation valves nor run them against the stops. This may cause damage to the valve.

**NOTE:** If the actuator has “torqued out,” release torque buildup by operating the actuator manually.

### 4.4.1 Setting Torque Switch

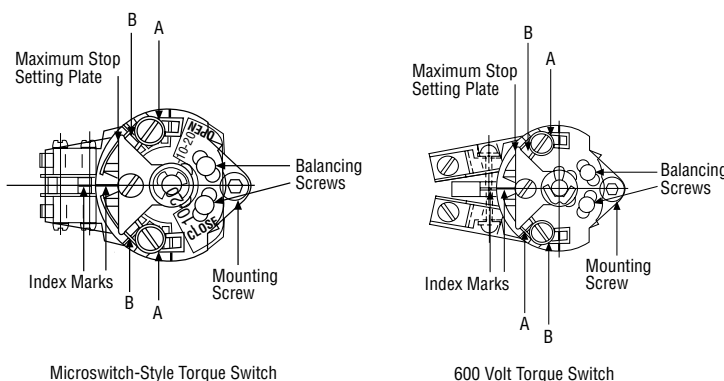
The torque switch was set at the factory according to customer-supplied information regarding necessary torque or thrust output that was provided at the time of the order. However, if the setting needs to be adjusted, perform the following procedure:

- ▲ CAUTION:** A torque switch limiter plate is provided on most actuators.
- Removal or modification of the torque switch limiter plate will void the actuator warranty.
  - Do not exceed the setting indicated by this plate without contacting the Limitorque service department.
  - Installing or adjusting the torque switch with the actuator in a loaded condition will result in a loss of torque protection.

Item letters correspond to Figure 4.1.

1. Place the L120 actuator in manual mode.
2. Release the load on the wormshaft spring pack.
3. For open and close directions, loosen Screw (A) and move Pointer (B) to desired position. A higher number indicates a high torque and/or thrust output.
4. Tighten Screw (A).
5. Operate the valve electrically to seat valve and to ensure tight shutoff.
6. Rebalance torque switch if required.

Figure 4.1 – Microswitch-Style Torque Switch and 600 Volt Torque Switch



## 4.4.2 Balancing Torque Switch

Item letters correspond to Figure 4.1.

1. Place the actuator in manual mode.
2. Remove the load from the wormshaft spring pack.
3. Note the open and close torque switch settings prior to reinstalling the torque switch.
4. Loosen Screws (A) and position both Pointers (B) at the #1 setting, tighten Screw (A). In this position the index marks should be aligned.
5. Loosen balancing screws and install the torque switch. The base of the torque switch should be flush against the compartment and the hole for the mounting screw should be aligned.
6. Install the mounting screw.
7. Tighten the balancing screws.

**▲ CAUTION:** The balancing screws should not be touched except during the balancing procedure.

The switch is now balanced and ready for the pointers to be returned to their original settings.

## 4.5 Geared Limit Switch

**▲ CAUTION:** The geared limit switch is not preset at the factory and must be adjusted after the actuator has been mounted on associated equipment.

- Disconnect all incoming power to the actuator prior to opening the limit switch compartment and adjusting the switch.
- Consult the relevant wiring diagram for limit switch contact development. All L120 units are supplied with 16-contact limit switches - four switches on each of the four rotors. Two rotors are used for end of travel indication. The remaining two rotors may be adjusted for any intermediate point of travel.
- Do not use abrasive cloth to clean the contacts on the limit switch.
- Do not attempt to repair gearing in the limit switch. Replace entire gear frame assembly if necessary.

### 4.5.1 Setting Limit Switch

Set the limit switch as follows. All item letters and piece numbers refer to Figure 4.2.

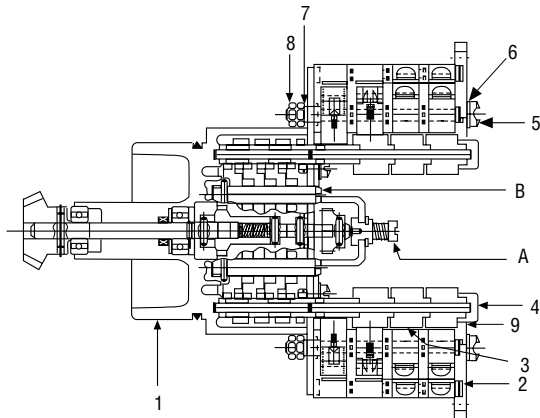
**NOTE:** See chart below for maximum number of drive sleeve turns for each unit size. The Intermediate Shaft (B), shown in Figure 4.2, may take a considerable number of turns before rotor trip occurs.

*Table 4.4 – Maximum Number of Drive Sleeve Turns for Standard Four-Gear and Optional Five-Gear Limit Switches*

Actuator Size	Four-Gear	Five-Gear
L120-10	630	6300
L120-20	740	7400
L120-40	640	6400

- ⚠ **WARNING:** Potential Explosion Hazard. Do not use a variable speed electric drill for setting the limit switch in an explosive environment.
- ⚠ **CAUTION:** When setting the limit switch rotor segments (cams) using a variable speed electric drill, do not run drill at speeds higher than 200 RPM. Operating the drill at high speeds can damage the gearing within the limit switch.

Figure 4.2 – Limit Switch

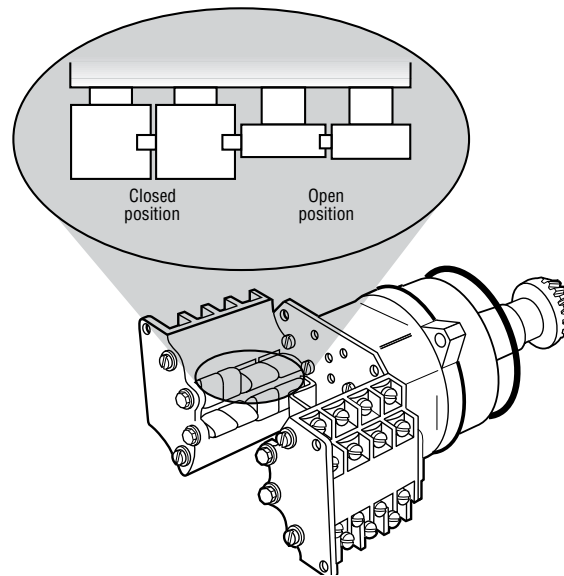


Piece	Quantity	Description
1	1	Gear Frame Assembly
2	2	Eight-Switch Contact Block Assy.
3	12	Rotor Segment (short)
4	4	Rotor Shaft
5	4	Machine Screw
6	4	Flat Washer
7	4	Lock Washer
8	8	Hex Nut
9	4	Rotor Segments (long)

### 4.5.2 Setting Procedure (Refer to Figure 4.2)

1. Open the Compartment Cover (piece #200 of Figure 5.2).
2. Put the actuator into manual operation. Use the handwheel to operate the valve in the “open” direction. While operating the valve, note the direction of the Intermediate Shaft (B) corresponding to the rotor or rotors to be set.
3. When the valve is fully open, close it one turn of the handwheel to allow for coast of moving parts or refer to the valve manufacturer setting requirements.
4. Push in the Setting Rod (A) and turn one-quarter turn. The rod will latch in this depressed position.
5. Refer to the applicable wiring diagram for contact development. The limit switch contact is closed when the rotor is engaged with the plunger. If the rotor to be set has not turned 90 degrees to operate the plunger, turn the intermediate shaft in the same direction as noted in Step 2 until the rotor clearly trips the switches. This rotor is now set correctly.
6. Before moving the valve, depress and turn the Setting Rod (A) one-quarter turn to the spring released position. Insert a screwdriver into the intermediate shafts to ensure that they will not move.
- ⚠ **CAUTION:** Do not operate the valve when Setting Rod (A) is in a fully depressed position. Loss of contact setting will occur and the setting rod will be damaged.
7. Operate the valve by handwheel to fully “close” position; reverse direction by one turn of the handwheel to allow for coast of moving parts or refer to the valve manufacturer setting requirements.
8. Set the other rotors by following Steps 4 through 6.

Figure 4.3 – Setting the open and closed contacts



### 4.5.3 Combination of Contacts (Refer to Figure 4.2)

The rotor segments can be separated and rotated through 90 degrees to give various combinations of normally open or normally closed contacts to each rotor.

1. Remove Nuts (piece 8) and Fillister Head Machine Screws (piece 5, for a total of two fasteners on each side of the switch).
2. Remove complete contact assembly from the back plate.
3. Rearrange cams on the camshaft to produce the required combination of contacts.
4. Replace contact assembly on back-plate (ensuring that the registers fit correctly) and secure with the machine screw and nuts.
5. Set limits according to the procedure above.

## 4.6 Position Indication

### 4.6.1 Local position indication

The local dial position indicator is factory-selected to show valve position. The position indicator can only be adjusted when mounted on the valve.

To set the local position indicator:

1. Disconnect all incoming power and remove Switch Compartment Cover (piece 200 of Figure 5.2).
2. Place the valve in the fully “close” position.
3. Loosen the round head machine screw which holds the pointer in place, move the pointer to the “O” position, and retighten the screw.

The indicator is now set.

**NOTE:** The end-of-travel rotors of the geared limit switch activate “Flip-flop” type indicators. This type of indicator will require no further setting after the geared limit switch has been adjusted.

## 4.6.2 Remote Position Indication

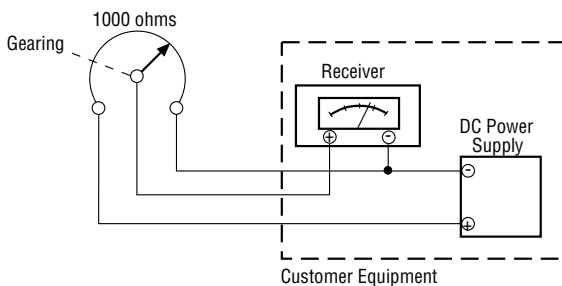
The L120 actuator with a position transmitter installed, transmits a 4-20 mA output signal to a remote position indicator. The transmitter responds to input of a 1K (ohms) potentiometer and can be powered by 18 VAC or 24 VDC.

**NOTE:** The pinion has been left disengaged to prevent damaging of rheostat prior to setting the valve. Set rheostat by turning pinion until the desired reading is obtained. Loosen the hex nut on the back of the rheostat and slide the rheostat in the direction of the idler pinion until pinions are engaged. Do not force engagement of the pinions. Retighten hex nut on back of the rheostat. Do not engage pinion until unit and valve have been set.

### To Calibrate Position Transmitter

1. Position the actuator to mid-travel: valve at 50% position.
2. Disconnect the potentiometer wiring harness from the transmitter board and measure the resistance from each end connection to the center connection on the potentiometer.
3. Set the potentiometer to the correct resistance reading. Loosen the set screw that retains the spur gear on the potentiometer shaft and rotate the shaft until a reading of 500 ohms is achieved.
4. Tighten the set screw and reconnect the wiring harness.
5. Run the actuator fully CLOSED.
6. Calibrate ZERO position by adjusting the zero potentiometer until a 4 mA output signal is read at terminal +VE and -VE.
7. Run the actuator fully OPEN.
8. Calibrate SPAN position by adjusting the span potentiometer until a 20 mA output signal is read at terminals +VE and -VE.
9. Repeat steps 5 to 8 and fine-tune as necessary.

Figure 4.4 – 1000 ohm Potentiometer

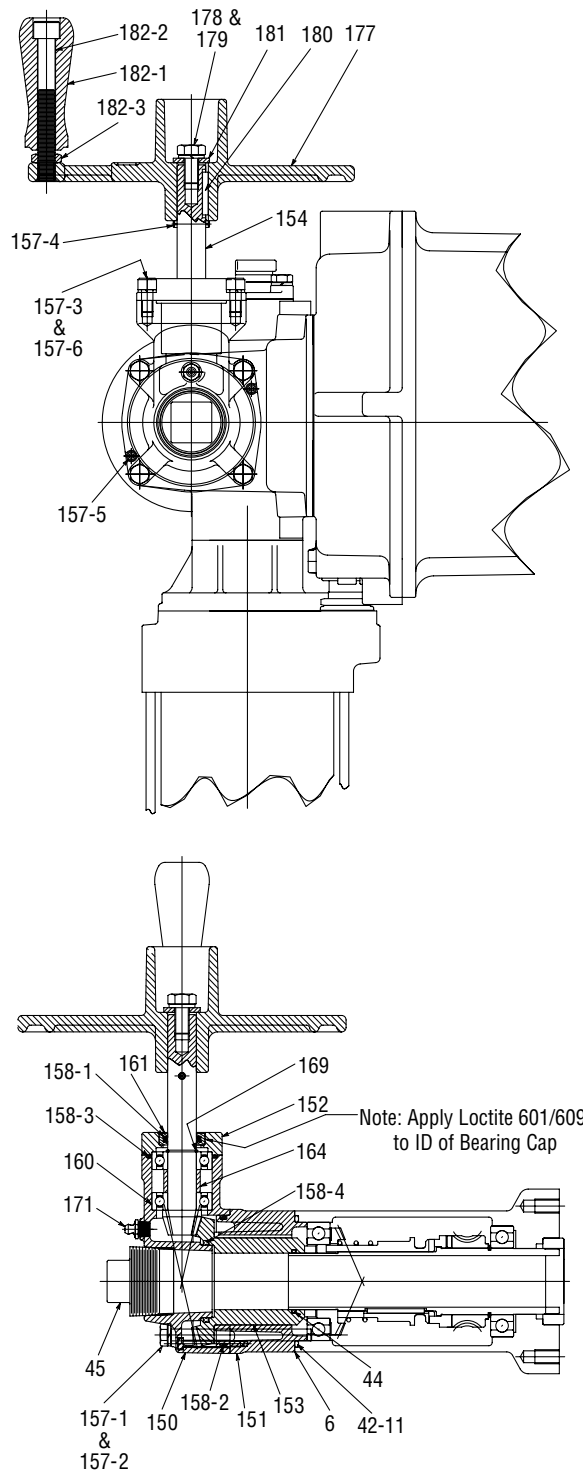


Typical Connection for a 1000 ohm Potentiometer

## 4.7 Optional Side-Mounted Handwheel

For actuator sizes L120-10, 20, and 40, the handwheel can be mounted on the side as shown in the following figures.

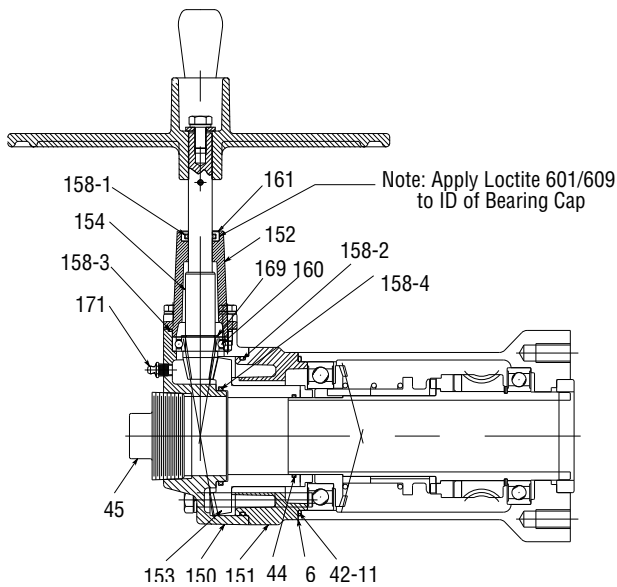
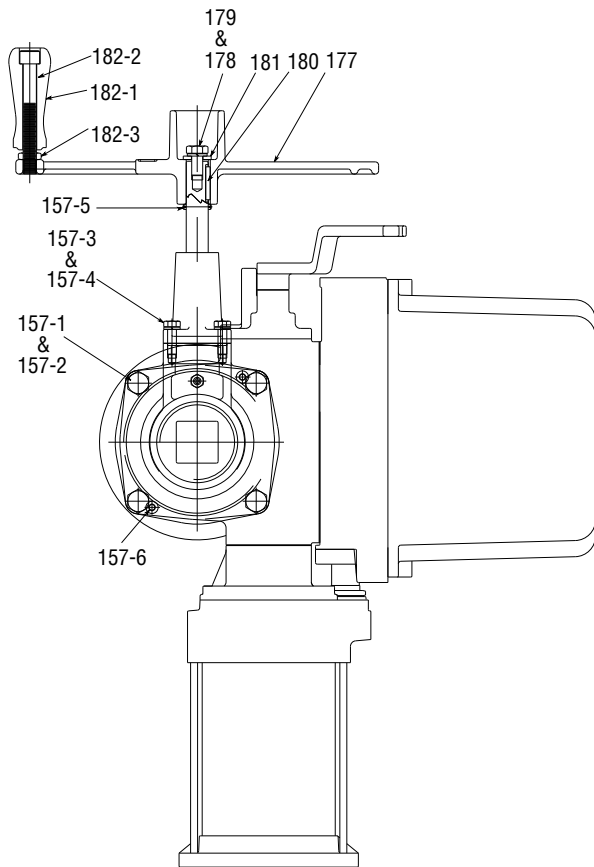
Figure 4.5 – L120-10 parts list, attachment ratio 4.2:1



Piece	Quantity	Description
6	1	Housing Cover Shim
42-11	1	O-Ring / Handwheel Mounting
44	1	Quad Ring
45	1	Pipe Plug
150	1	Bevel Housing
151	1	Bevel Housing Adapter
152	1	Bearing Cap
153	1	Bevel Gear
154	1	Bevel Pinion Shaft
157-1	4	Hex Head Cap Screw
157-2	4	Lockwasher
157-3	2	Socket Head Cap Screw
157-4	1	Roll Pin
157-5	2	Socket Head Cap Screw
157-6	2	Lockwasher
158-1	1	Quad Ring
158-2	1	O-Ring
158-3	1	O-Ring
158-4	1	Quad-Ring
160	2	Ball Bearing
161	1	Seal Insert
164	1	Spacer
169	1	Retaining Ring
171	1	Grease Fitting
177	1	Handwheel
178	1	Hex Head Cap Screw
179	1	Lockwasher
180	1	Key
181	1	Retaining Washer
182-1	1	Handwheel Spinner
182-2	1	Socket Head Cap Screw
182-3	1	Hex Jam Nut

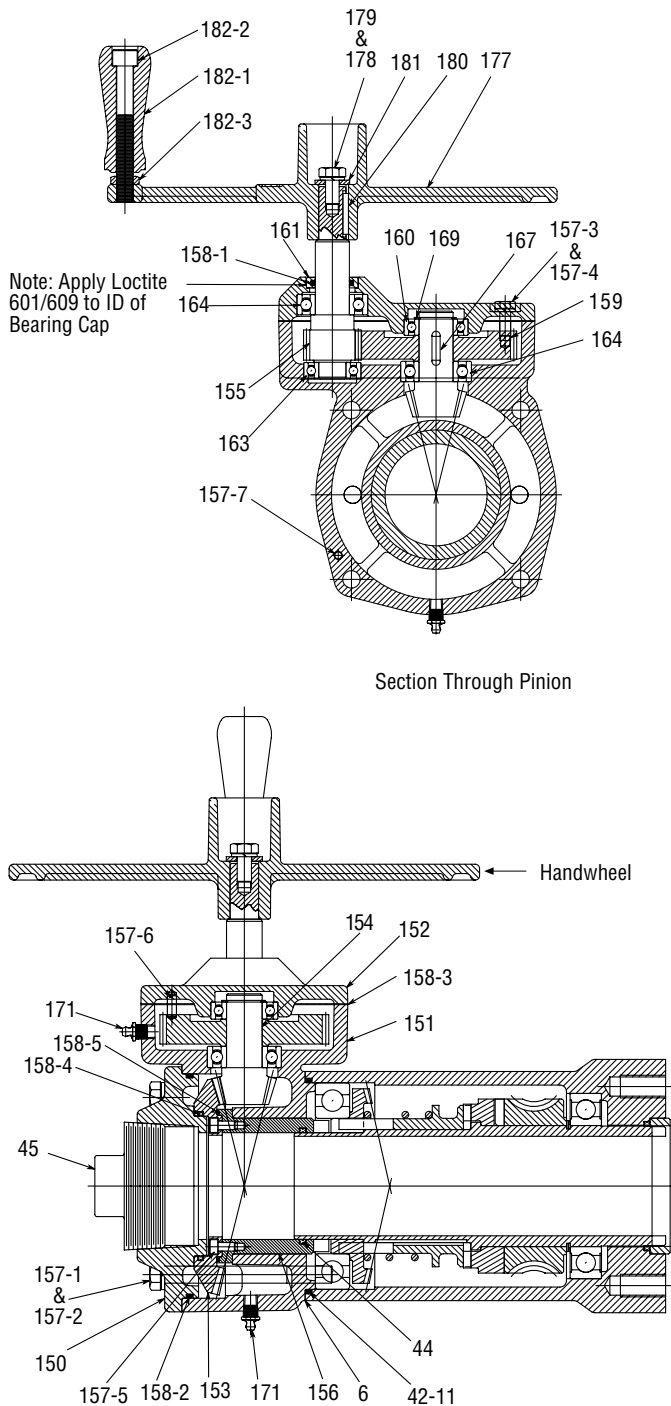


Figure 4.6 – L120-20 with side-mounted handwheel and parts list, attachment ratio 5.7:1



Piece	Quantity	Description
6	1	Housing Cover Shim
42-11	1	O-Ring / Handwheel Mounting
44	1	Quad Ring
45	1	Pipe Plug
150	1	Bevel Housing
151	1	Bevel Housing Adapter
152	1	Bearing Cap
153	1	Bevel Gear
154	1	Bevel Pinion Shaft
157-1	4	Hex Head Cap Screw
157-2	4	Lockwasher
157-3	4	Hex Head Cap Screw
157-4	4	Lockwasher
157-5	1	Roll Pin
157-6	2	Socket Head Cap Screw
158-1	1	Quad-Ring
158-2	1	O-Ring
158-3	1	O-Ring
158-4	1	Quad Ring
160	1	Ball Bearing
161	1	Seal Insert
169	1	Retaining Ring
171	1	Grease Fitting
177	1	Handwheel
178	1	Hex Head Cap Screw
179	1	Lockwasher
180	1	Key
181	1	Retaining Washer
182-1	1	Handwheel Spinner
182-2	1	Socket Head Cap Screw
182-3	1	Hex Jam Nut

Figure 4.7 – L120-40 with side-mounted handwheel and parts list, attachment ratio 12:1



Piece	Quantity	Description
6	1	Housing Cover Shim
42-11	1	O-ring / Handwheel Mounting
44	1	Quad Ring
45	1	Pipe Plug
150	1	Bevel Housing Cover
151	1	Bevel Housing
152	1	Spur Gear Cover
153	1	Bevel Gear
154	1	Bevel Pinion
155	1	Input Pinion Shaft
156	1	Bevel Gear Adapter
157-1	4	Hex Head Cap Screw
157-2	4	Lockwasher
157-3	4	Hex Head Cap Screw
157-4	4	Lockwasher
157-5	8	Socket Head Cap Screw
157-6	2	Dowel Pin
157-7	1	Socket Head Cap Screw
158-1	1	Quad Ring
158-2	1	O-ring
158-3	1	Gasket
158-4	1	Quad Ring
158-5	1	O-ring
159	1	Spur Gear
160	1	Ball Bearing
161	1	Seal Insert
163	1	Ball Bearing
164	2	Ball Bearing
167	1	Key
169	1	Retaining Ring
171	1	Grease Fitting
177	1	Handwheel
178	1	Hex Head Cap Screw
179	1	Lockwasher
180	1	Key
181	1	Retaining Washer
182-1	1	Handwheel Spinner
182-2	1	Socket Head Cap Screw
182-3	1	Hex Jam Nut

# 5 Operation

⚠ **WARNING:** Do not manually operate the actuator with devices other than installed Handwheel and Declutch Lever. Using force beyond the ratings of the unit and/or using additive force devices such as cheater bars, wheel wrenches, pipe wrenches or other devices on the actuator Handwheel or Declutch Lever may cause serious personal injury and/or damage to the actuator or valve.

⚠ **CAUTION:** Do not motor-operate the valve without first setting or checking the limit switch setting and motor direction.

- Do not force the declutch lever into hand operation. If the clutch does not easily engage, rotate handwheel slowly while operating the declutch lever.
- Do not alternately start/stop the motor to open or close a valve which is too tight for normal operation.

## 5.1 Electrical Start-up

1. Verify that the actuator has been correctly lubricated. This is particularly important if the actuator has been in long-term storage.
2. Verify that the geared limit switch has been correctly set (see Section 4.5.1, Setting Limit Switch).
3. If the valve stem is not visible, remove the stem cover or handwheel cover plate to observe output direction of the drive sleeve.
4. Engage manual operation and hand crank the valve well away from end of travel positions.
5. Turn on power supply and push button to “open.”
6. Check output rotation:
  - If phase rotation is correct, the valve should begin to open.
  - If valve begins to CLOSE, STOP immediately. Incorrect phase rotation will lead to serious damage if the valve seats.

7. Correct the phase rotation one of two ways:
  - Switch any two of the three power leads for three-phase power, or
  - Reverse the armature leads for single-phase or DC power.

The actuator should operate correctly and will be stopped at the end of travel positions by torque or limit switch functions.

Table 5.1 – Required Rating for External Wiring

Up to	Use wire rated at least
40°C	60°C
60°C	75°C

Figure 5.1 is a representation of a typical application and may not be applicable to your specific actuator. Please refer to the wiring diagram supplied with your actuator to confirm the actual equipment supplied.

## 5.2 Manual Operation

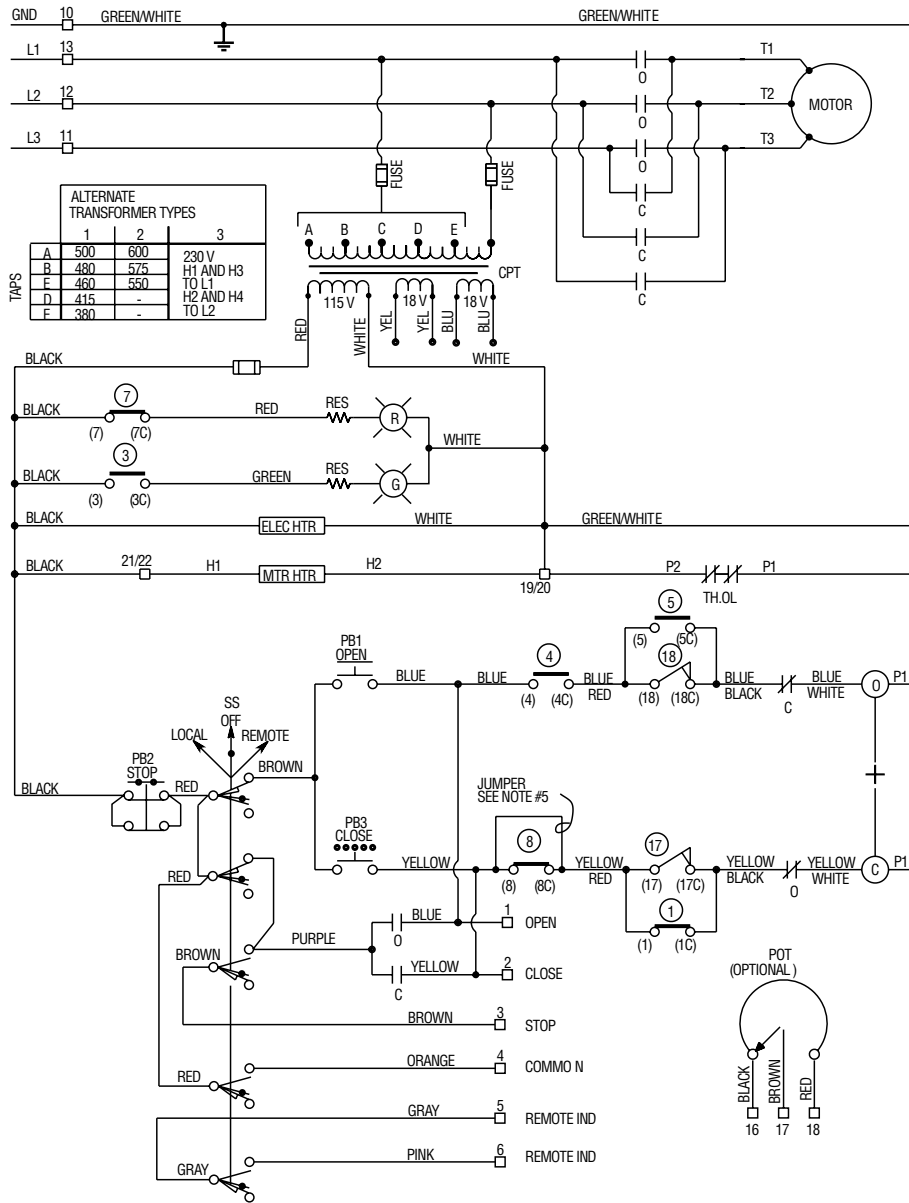
Piece numbers refer to Figure 5.2.

Counterclockwise rotation of the Declutch Lever (piece 9) causes the declutch actuator to lift the clutch sleeve out of engagement with the worm gear. Drive lugs on top of the clutch sleeve engage matching lugs in the Handwheel Adapter (piece 26) and then latches engage the clutch sleeve in this position. The actuator is now in the handwheel driving option. Energizing the motor at this point will cause the latches to drop out and the spring-loaded clutch sleeve reengages with the lugs on the worm gear. The actuator is once more in motor operation.

**NOTE 1:** The shift from manual operation to motor operation is automatic and does not require external positioning of the declutch shaft.

**NOTE 2:** If the declutch mechanism does not engage, rotate handwheel approximately 30-45° and attempt manual engagement. There is a chance that the lugs on the Clutch Sleeve (piece 19) and Handwheel Adapter (piece 26) are not correctly aligned.

Figure 5.1 (one of two) – L120-10 through 40 typical wiring diagram



Valve shown in full open position

ROTOR	CONTACT	LIMIT SWITCH CONTACT DEVELOPMENT				FUNCTION
		FULLY OPEN	A	B	FULLY CLOSED	
OPEN	1	█	---	---	---	BYPASS CIR
	2	█	---	---	---	SPARE
	3	█	---	---	---	IND LIGHT
	4	█	---	---	---	OPEN LIMIT
CLOSE	5	---	---	---	█	BY-PASS CR
	6	---	---	---	█	SPARE
	7	---	---	---	█	IND LIGHT
	8	---	---	---	█	CLOSE LIMIT
INT.1	9	---	---	---	---	SPARE
	10	---	---	---	---	SPARE
	11	---	---	---	---	SPARE
	12	---	---	---	---	SPARE
INT.2	13	---	---	---	---	SPARE
	14	---	---	---	---	SPARE
	15	---	---	---	---	SPARE
	16	---	---	---	---	SPARE

- 17 CLOSING TORQUE SWITCH INTERRUPTS CONTROL CIRCUIT IF MECHANICAL OVERLOAD OCCURS DURING CLOSING CYCLE
- 18 OPENING TORQUE SWITCH INTERRUPTS CONTROL CIRCUIT IF MECHANICAL OVERLOAD OCCURS DURING OPENING CYCLE

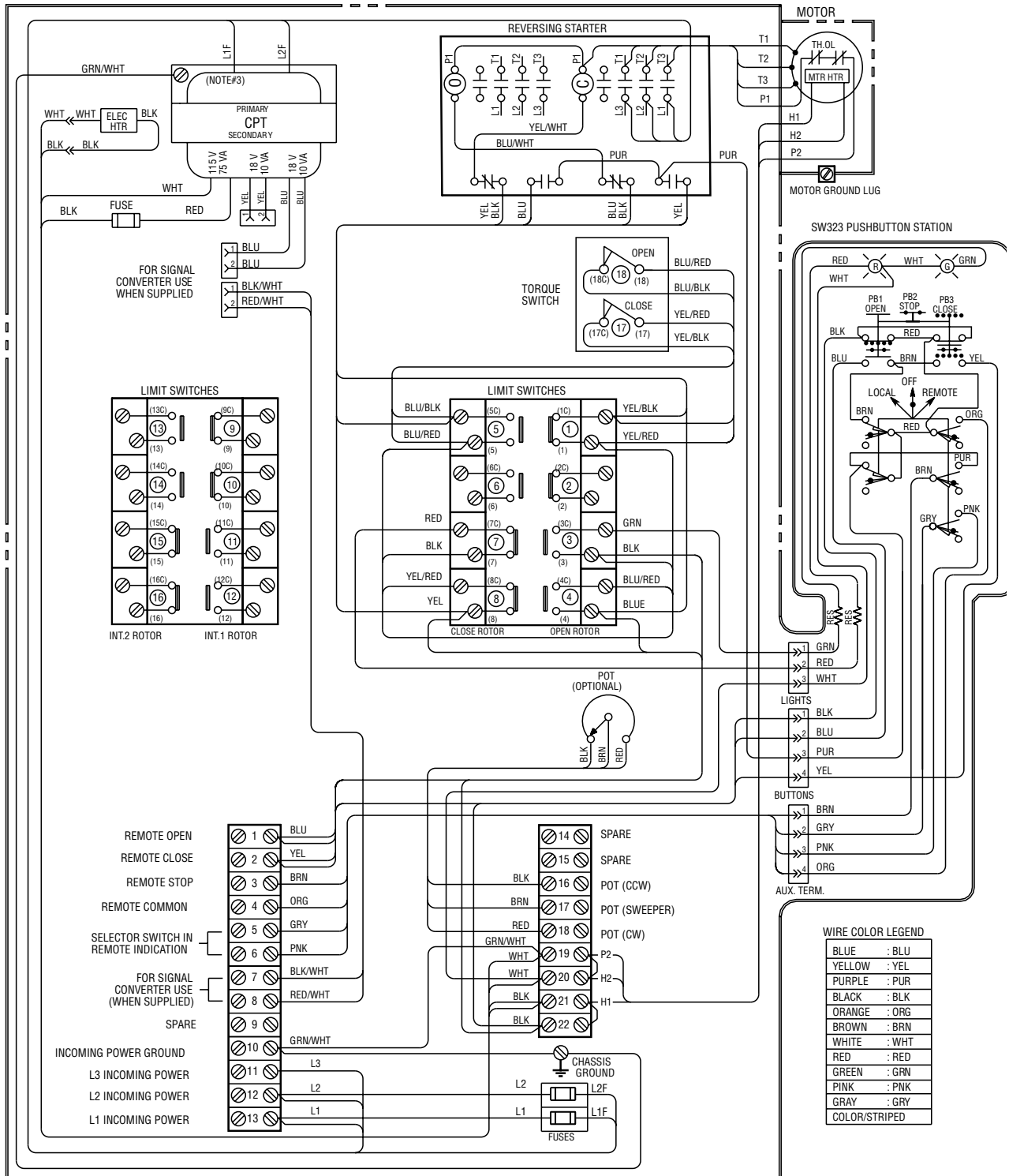
Notes

1. --- OPEN CONTACT
2. █ CLOSE CONTACT
3. SEE CERTIFICATION SHEET FOR VOLTAGE SUPPLIED. TRANSFORMER UNUSED WIRES TO BE SEPARATELY COVERED WITH INSULATING HEAT SHRINK TUBING.
4. ROTORS INT.1 & INT.2 CAN BE SET AT VALVE POSITION FULL OPEN, FULL CLOSED OR ANY POSITION IN BETWEEN AS INDICATED BY POINTS A AND B.
5. ADD JUMPER ON LS#8 BETWEEN TERMINALS (8) & (8C) FOR TORQUE-SEATING VALVES.

Legend

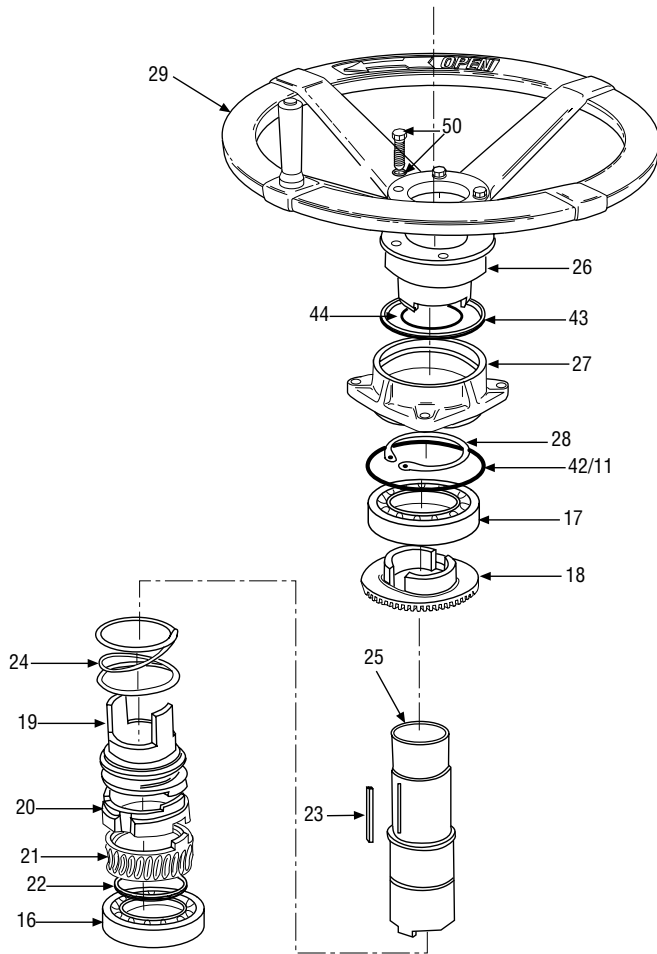
- O-OPEN CONTACT
- C-CLOSE CONTACT
- ⓪-OPENING COIL
- Ⓢ-CLOSING COIL
- CPT-CONTROL POWER TRANSFORMER +MECHANICAL INTERLOCK
- TH.O.L-THERMAL OVERLOAD CONTACT
- Ⓡ-RED INDICATING LIGHT
- Ⓢ-GREEN INDICATING LIGHT
- SS-SELECTOR SWITCH (LOCAL-OFF-REMOTE)
- PB1-OPEN PUSHBUTTON
- PB2-STOP PUSHBUTTON
- PB3-CLOSE PUSHBUTTON
- ELEC HTR-COMPARTMENT HEATER
- MTR HTR-MOTOR HEATER
- POT-POTENTIOMETER (OPTIONAL, SEE CERTIFICATION SHEET IF SUPPLIED)
- RES-LAMP RESISTORS

Figure 5.1 (two of two) – L120-10 through 40 typical wiring diagram



Electrical Compartment

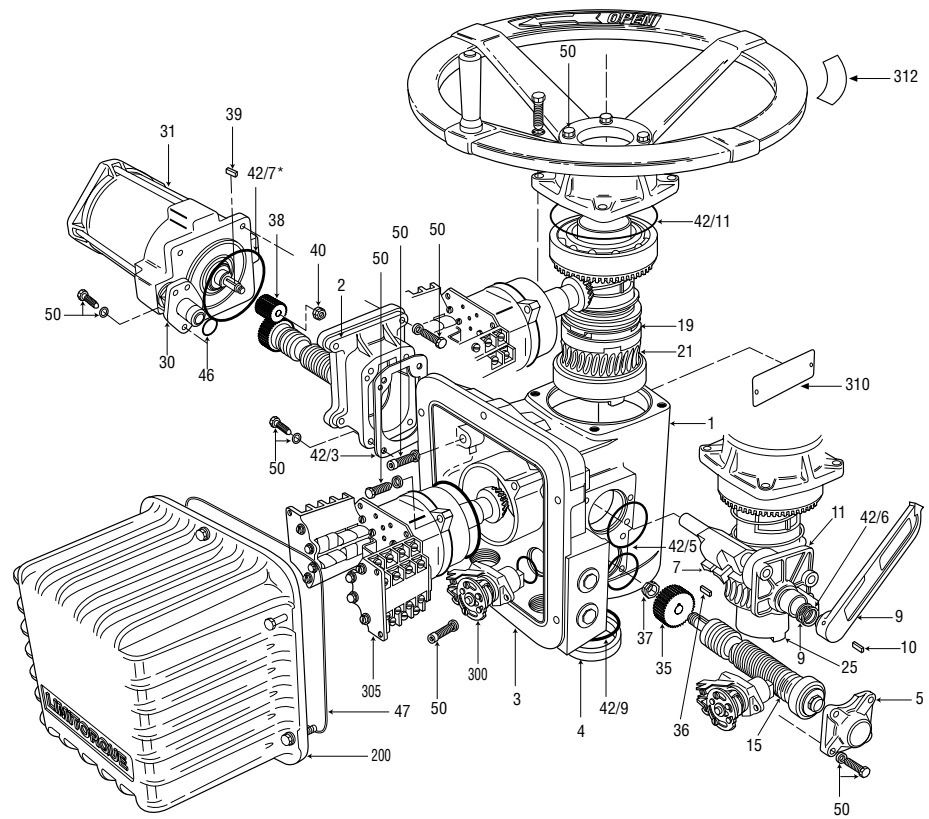
Figure 5.2 (one of two) – L120-10 through 40 drive sleeve and housing cover parts breakdown



Piece	Quantity	Description
16	1	Ball Bearing
17	1	Ball Bearing
18	1	Drive Sleeve Bevel Gear
19	1	Handwheel Clutch Sleeve
20	1	Worm Gear Lug Ring
21	1	Worm Gear
22	1	Spirolox Retainer
23	1	Key
24	1	Declutch Spring
25	1	Drive Sleeve
26	1	Handwheel Adapter
27	1	Housing Cover
28	1	Retaining Ring
29	1	Handwheel
33	1*	Handwheel Cover Plate
34	1*	Handwheel Cover Plate Gasket
42/11	1	O-ring / Handwheel Mounting
43	1	Quad Ring
44	1	Quad Ring
50	A/R	Hardware

\* Not shown

Figure 5.2 (two of two) – L120-10 through 40 parts breakdown



Piece	Quantity	Description
1	1	Housing
2	1	Motor Adapter
3	1	Electrical Compartment
4	1	Seal Retainer
5	1	Worm Shaft End Cap
6	1**	HSG. Cover Shim Set
7	1	Declutch Shaft Assembly
9	1	Declutch Lever
10	1	Roll Pin
11	1	Declutch Cap
15	1	Worm Shaft Assembly
19	1	Clutch Sleeve
21	1	Worm Gear
25	1	Drive Sleeve
30	1	Nipple Flange
31	1	Motor
32	4**	Dowels
35	1	Worm Shaft Gear
36	1	Key
37	1	Flexloc Nut

Piece	Quantity	Description
38	1	Motor Pinion
39	1	Key
40	1	Stop Nut
41	1**	Washer
42	1	Seals Kit
42/3	1	Gasket – Mtr Adapter
42/5	1	O-ring – Declutch Assembly
42/6	1	O-ring – Declutch Lever
42/7	1	O-ring Mtr
42/7*	1	Gasket Mtr
42/9	1	Seal – Drive Sleeve
42/11	1	O-Ring – Handwheel Mounting
46	1	O-ring / Motor Nipple
47	1	O-ring / Cover
50	1	Hardware Kit
200	1	Compartment Cover
300	1	Torque Switch
305	1	Geared Limit Switch
310	1	Unit Nameplate
312	1	Rimpull Nameplate

\* L120-40 Only

\*\* Not Shown



## 5.3 Motor Operation

The actuator is always available for motor operation whenever the motor is energized

▲ **CAUTION:** Do not force the declutch lever into motor operation. Lever will automatically return to motor operation when the motor is energized.

Reset the travel limit switches prior to motor operation if the actuator has been dismantled or removed from the valve.

Piece numbers refer to Figure 5.2.

In motor operation, the Motor Gear Set (piece 35 and 38) drives the Wormshaft (piece 15) and Worm Gear (piece 21) which in turn rotates the Clutch Sleeve (piece 19) by means of driving the lugs. The clutch sleeve and worm gear may be assembled to produce either a “no lost motion” or “hammerblow” effect. The Drive Sleeve (piece 25) is keyed to the clutch sleeve and hence rotates, producing the required output rotary motion.

## 5.4 Torque and Travel Limiting

The geared limit switch is driven by a bevel gear connected to the upper drive lugs of the clutch sleeve. The limit switch is directly connected to the output of the actuator. Once properly set, the limit switch remains in step with the valve position regardless of electric or manual operation of the Limitorque actuator.

The worm and wormshaft are supported by two rotating spring packs. As torque is generated by the actuator, the worm moves axially against one of the spring packs. Each pack is precalibrated and hence a finite compression represents a finite torque output. Movement of the worm operates the torque switch, which interrupts the power to the motor. The torque switch is adjustable and can be set to operate at predetermined torque levels.

# 6

## Maintenance

### 6.1 Lubrication

The L120 series actuators have a totally sealed gear case, factory-lubricated with grease. The thrust base, when supplied, is factory-lubricated with the same grease as the gear case if the stem nut is factory-machined for the customer's driven shaft. If a blank stem nut is installed in the thrust base, a tag is provided on the actuator advising that the base is not lubricated. The gear case can be mounted in any position. However, mounting of the motor or the switch compartment in the down position is not recommended. These mounting positions may result in the motor or switch compartment being saturated with lubricant if the seal fails.

No seal can remain absolutely tight at all times. Therefore, it is not unusual to find a very small amount of weeping around shaft seals—especially during long periods of idleness such as storage. Using grease minimizes this condition as much as possible. If a small amount is weeping at start-up, remove it with a clean cloth. Once the equipment is operating on a regular basis, the weeping should stop.

#### 6.1.1 Lubrication Inspection

Inspect Limitorque L120 series actuators for correct lubrication prior to operating - particularly following a long storage period.

Each application has its own effect on the actuator and the frequency of these inspections should be based on the application and the operating experience. The following lubrication inspection schedule is recommended until operating experience indicates otherwise.

For Gear Case, inspect lubrication every 18 months or 500 cycles, whichever occurs first.

During an inspection consider the following:

- Quantity – Ensure there is enough lubricant so that the Worm and the Worm Gear are totally immersed in grease regardless of the position. To verify, pull out geared limit switch. Level of grease should be within ½" from bottom of geared limit switch opening.

- Quality – Inspect lubricant for dirt, water or other foreign matter. If any one of these is found:
  1. Flush the actuator with a commercial degreaser/cleaner such as Exxon Varsol #18. This degreaser/cleaner is not corrosive and does not affect the seal materials.
  2. Repack the actuator with fresh lubricant allowing room for grease thermal expansion.
- Consistency – Ensure the lubricant is fluid approximating a standard NLGI-0 grade consistency or less. Thinners such as Amoco WAYTAC #31 oil may be added provided the volume of thinner does not exceed 20% of the total lubricant.

## 6.1.2 Factory Lubricant

Gear Case: The L120 series actuator gear case is factory-lubricated with an EP-0 lithium grease, suitable for temperatures from -20°F (-29°C) to +250°F (+121°C).

Table 6.1 – Specified Approximate Lubricant Weights

Actuator Size	lb.	kg
L120-10	2.75	1.3
L120-20	4.25	1.9
L120-40	5.75	2.6

Geared Limit Switch: Permanently lubricated with Beacon 325. Limitorque does not recommend disassembly of the gearbox.

## 6.2 Minimum Lubricant Qualities Required

The standard lubricants used by Limitorque have been proven to be extremely reliable over years of service. Limitorque does not recommend a particular lubricant substitute for the standard lubricants; however, Limitorque does require the following lubricant qualities as a minimum.

**▲ CAUTION:** Do not mix lubricants of a different base chemical. Mixing lubricant bases may cause lubricant properties to be ineffective.

The Lubricant must:

- contain an “EP” additive.
- be suitable for the temperature range intended.
- be water and heat-resistant and non-separating.
- not create more than 8% swell in Buna N or Viton.
- not contain any grit, abrasive, or fillers.
- comply with a slump-prefer NLGI-0 grade.
- not be corrosive to steel gears, ball, or roller bearings.
- have a dropping point above 316°F (158°C) for temperature ranges of -20°F (-29°C) to +250°F (+121°C).

## 6.3 Disassembly and Reassembly

**▲ CAUTION:** Turn off all power services before attempting to perform service on the actuator.

- Remove the actuator from the valve for complex work. Minor work, such as replacing geared limit switch, torque switch, or motor, may be readily performed while the actuator is still on the valve.
- Potential High-Pressure Vessel. Before removing or disassembling your actuator, ensure that the valve or other actuated device is isolated and is not under pressure.

**NOTE:** If the actuator is fitted with a Thrust Base (piece 100 of Figure 6.2), it is possible to remove the actuator housing while leaving the base on the valve to accept valve thrust. However, it is preferred that the valve be isolated from service and, if it is a rising stem, that the valve be fully open.

## 6.4 Disassembly of the L120-10, 20, and 40

Unless otherwise noted, piece numbers refer to the Illustrated Parts Breakdown of Figure 5.2.

1. Turn off power to the actuator.
2. Remove electrical Compartment Cover (piece 200).
3. Disconnect all electrical leads from the Torque Switch (piece 300) and Geared Limit Switch (piece 305). Ensure that all leads and terminals are clearly marked to facilitate reassembly.
4. Remove two screws holding limit switch and one holding torque switch. Remove both items.
5. Remove four bolts holding Motor (piece 31) and three bolts holding conduit Nipple Flange (piece 30). Remove motor, drawing motor leads through switch compartment.
6. Remove Motor Pinion (piece 38) by removing Stop Nut (piece 40).
7. Remove Worm Shaft Gear (piece 35), Flexloc Nut (piece 37), and Worm Shaft End Cap (piece 5) and draw complete wormshaft assembly from housing.

**NOTE:** The wormshaft has been assembled at the factory to obtain the correct preload on the spring packs. Do not attempt to disassemble further. If the worm shaft is worn or damaged, it is suggested that the complete wormshaft subassembly be replaced. The actuator must be in motor operation to remove the wormshaft assembly. When the wormshaft is partially out, the disc springs will hit the worm gear. Pull the declutch lever forward slightly without fully engaging the declutch mechanism and the wormshaft will come out.

8. Remove Declutch Cap (piece 11).
9. For unit size L120-10, completely withdraw the Declutch Assembly (piece 7 of Figure 6.3) from the housing. For unit sizes L120-20 and 40, remove Declutch Input Pinion (piece 12 of Figure 6.3) followed by the Declutch Assembly (piece 7 of Figure 6.3).
10. Remove Handwheel (piece 29) and Housing Cover (piece 27) and lift complete drive sleeve subassembly from housing.

## 6.5 Drive Sleeve and Housing Cover Disassembly

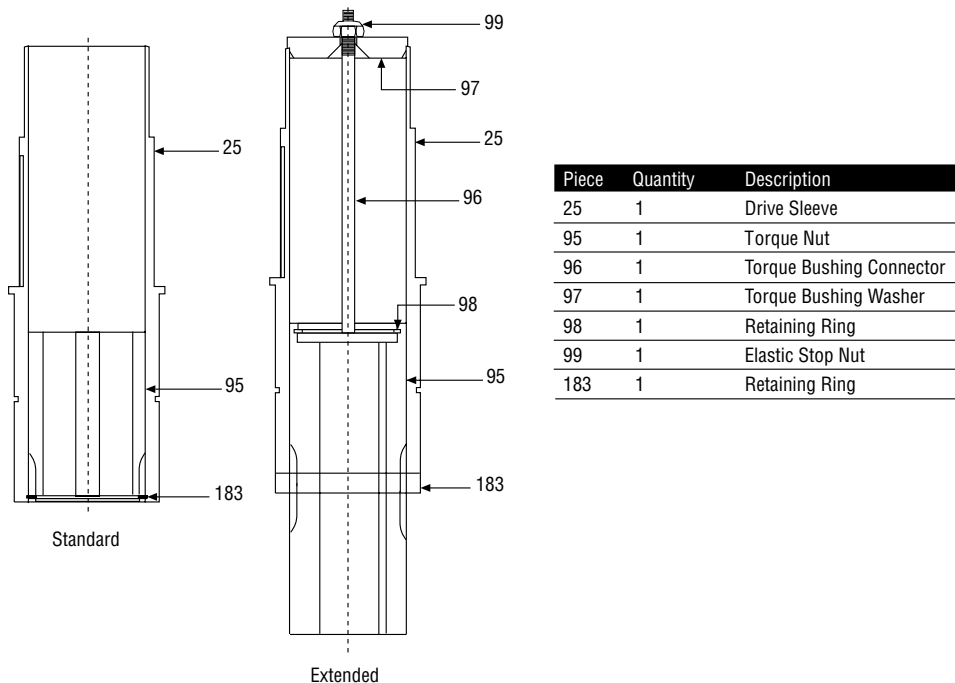
Piece numbers refer to Figure 5.2.

1. Remove Upper Ball Bearing (piece 17), Bevel Gear (piece 18), Declutch Spring (piece 24), Clutch Sleeve (piece 19), and Key (piece 23).
2. Remove Lower Ball Bearing (piece 16).
3. Spirolox Retainer (piece 22) may now be removed by inserting small flat blade screwdriver under the end of the ring and prying the first layer from the groove. Continue around the ring until it is free from the groove.
4. Remove the Worm Gear (piece 21) and the Lug Ring (piece 20).
5. Handwheel Adapter (piece 26) and Seal (piece 42) can be removed from Housing Cover (piece 27) by removing Retaining Ring (piece 28).

## 6.6 Torque Nut Disassembly (Drive 1 Option)

For applications requiring torque only, the L120 series actuator can be supplied without the thrust base option. The torque nut is driven by the drive sleeve lugs and held in place by the torque bushing connector.

Figure 6.1 – L120-10 through 40 standard and extended drive sleeve assembly



Unless otherwise stated, piece numbers refer to Figure 6.1.

### Standard Drive Sleeve

To remove the Torque Nut (piece 95), remove Retaining Ring (piece 183) and drop the torque nut out the bottom of the Drive Sleeve (piece 25 of Figure 5.2).

**Optional Drive Sleeve**

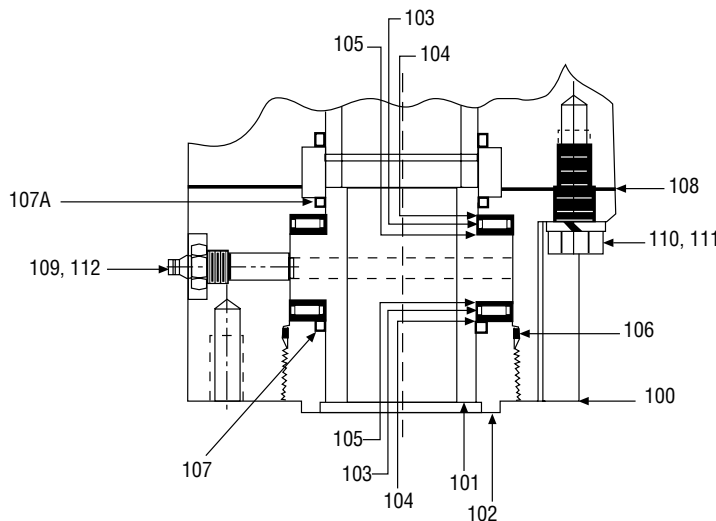
1. Remove the Handwheel (piece 29 of Figure 5.2), Handwheel Cover Plate (piece 33 of Figure 5.2) and Gasket (piece 34) to provide access to the Elastic Stop Nut (piece 99).
2. Remove the Elastic Stop Nut (piece 99) from the Rod (piece 1). The Torque Nut (piece 95) can now be removed from the bottom of the Drive Sleeve (piece 25 of Figure 5.2).
3. The Torque Bushing Connector (piece 96) can be removed from the torque nut by removing the Retaining Ring (piece 98).

## 6.7 Thrust Base Disassembly (Drive 2 Option)

Piece numbers refer to Figure 6.2.

1. If the Thrust Base (piece 100) option is present, remove the Seal Retainer (piece 102) followed by Stem Nut (piece 101).
2. Remove the four Hex Head Cap Screws (piece 110) and the Lift Thrust Base from the housing.

Figure 6.2– L120-10 through 40 thrust base



**NOTE:** For the L120-10, use the same part number for piece #107 and 107A. For the L120-20 and L120-40, use two different part numbers for piece #107 and 107A.

Piece	Quantity	Description
100	1	Base Housing
101	1	Stem Nut
102	1	Seal Retainer
103	2	Needle Bearing
104	2	Thrust Washer
105	2	Thrust Washer
106	1	O-ring Seal
107	1	Quad Ring Seal
107A	1	Quad Ring Seal
108	1	Gasket
109	1	Grease Fitting
110	4	Hex Head Cap Screw
111	4	Lock Washer
112	1	Relief Fitting

## 6.8 Stem Nut Replacement – Thrust Base Applications

This section is only applicable to thrust base applications. Occasionally the operator stem nut may need replacing if used in a threaded stem application on rising stem valves.

- ⚠ **WARNING:** Possible Hazardous Voltage. Turn power OFF before disassembling or removing the actuator from the mounting base. This will prevent accidental start-up during service to the unit.
- ⚠ **WARNING:** Potential High-Pressure Vessel. Before removing or disassembling the actuator, ensure that the valve or other actuated device is isolated and not under pressure.

▲ **CAUTION:** The L120-10 through 40 thrust base contains lubrication. Ensure that EP-00 is replaced when reassembling thrust base.

**NOTE:** Installation and retention of O-rings and quad rings can be eased by applying a small quantity of EP grease to the ring during assembly.

To replace the stem nut:

1. Disconnect all incoming power to the actuator.
2. Remove actuator from the valve.
3. Remove Seal Retainer (piece 102 of Figure 6.2) followed by stem nut, bearings, and seals.
4. Check the fit of the new stem nut on the valve stem - ensure that the nut travels freely without binding.
5. Reassemble the thrust base and remount the actuator on the valve.
6. Remount the actuator on the thrust base.
7. Removing the actuator from the valve will change the limit switch settings. Reset the limit switch in accordance with Section 4.5.1, Setting Limit Switch.
8. Reconnect power.
9. Test for correct functioning.

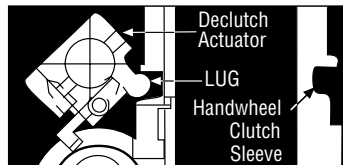
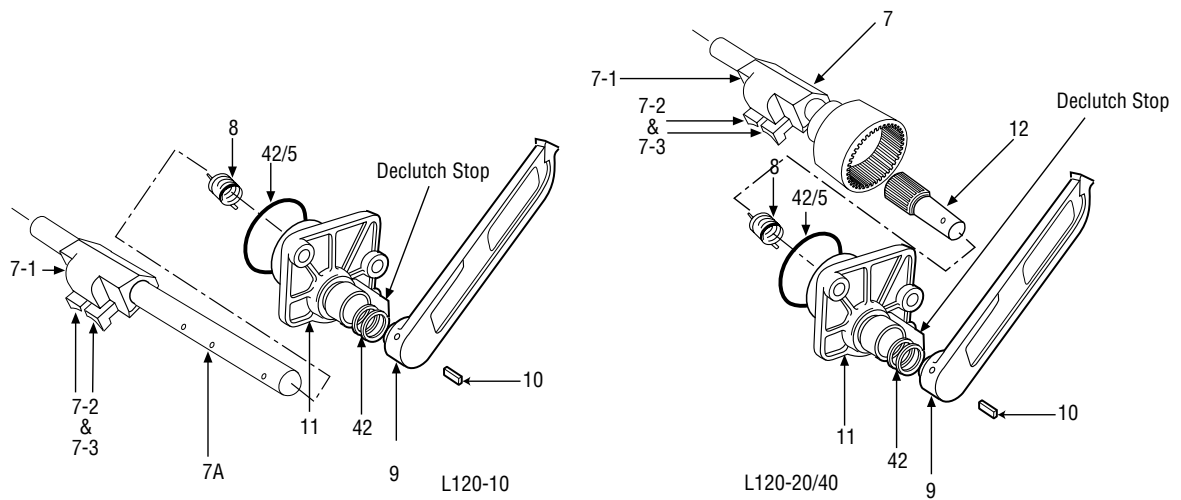
## 6.9 Reassembly

Piece numbers refer to Figures 5.1, 5.2, 6.1, 6.2, and 6.3.

1. Install Lug Ring (piece 20) onto Drive Sleeve (piece 25) followed by the Worm Gear (piece 21). Ensure that the worm gear lugs engage with recesses on lug ring.
2. Install Spirolox Retainer (separate layers of retainer sufficiently to begin threading the retainer into the drive sleeve groove. Continue threading until the retainer is firmly located in the groove).
3. Install Key (piece 23) and Clutch Sleeve (piece 19).
4. Add the Declutch Spring (piece 24), Bevel Gear (piece 18), Upper Bearing (piece 17), and Lower Bearing (piece 16) to complete the assembly.
5. Replace the drive sleeve assembly into main housing, and secure with the Housing Cover (piece 27). Ensure that all the seals are in place.
6. Insert Wormshaft Assembly (piece 15) into the housing and locate the bearings in the housing journals. Replace the Wormshaft Cap (piece 5).
7. Install the Wormshaft Gear (piece 35) and Flex Loc Nut (piece 37).

**NOTE:** It is recommended that a new flex loc nut be used during reassembly.

Figure 6.3 – L120-10 through 40 declutch assembly parts breakdown



Piece	Quantity	Description
7*	1	Declutch Shaft Assembly L120-20/40
7A	1	Declutch Shaft Assembly
7-1	1	Declutch Actuator
7-2 & 7-3	1	Declutch Latch (left & right)
8	1	Declutch Return Spring
9	1	Declutch Lever
10	1	Roll Pin
11	1	Declutch Cap
12*	1	Declutch Input Pinion
42/5	1	O-ring – Declutch

\*L120-20/40 only

### 6.9.1 Declutch Assembly (L120-10)

8. Install Declutch Cap (piece 11) on the Declutch Shaft (piece 7A). Ensure that the return spring is located correctly in the endcap.
9. Replace Declutch Lever (piece 9) on the shaft with the lever against the stop.
10. While holding the cap steady, rotate the declutch shaft against the spring tension until the holes in the shaft and lever align.
11. Replace complete assembly in main housing. Ensure that the lug on the Declutch Actuator (piece 7-1) fits into the groove on the Handwheel Clutch Sleeve (piece 19 of Figure 5.2).
12. Secure the declutch cap.

**NOTE:** When the declutch lever is disengaged against the declutch stop (motor operation position), the Declutch Actuator (piece 7-1) should not be in contact with the groove on the Handwheel Clutch Sleeve (piece 19 of Figure 5.2).

### 6.9.2 Declutch Assembly (L120-20/40) (Refer to Figure 6.3)

8. Install Declutch Cap (piece 11) on the Declutch Pinion Shaft (piece 12). Ensure that the return spring is located correctly in the slots.



9. Replace Declutch Lever (piece 9) on the pinion and against the stop.
10. While holding the cap steady, rotate the Pinion Shaft (piece 12) against the spring tension until the holes in the shaft and lever align.
11. Insert Roll Pin (piece 10).
12. Slide Declutch Shaft (piece 7) into the housing, ensuring that the Declutch Shaft (piece 7) fits correctly into the groove in the Handwheel Clutch Sleeve (piece 19 of Figure 5.2).
13. Install the declutch cap assembly into the housing, finding the nearest tooth on the internal spur gear which will allow the cap to be secured without placing tension on the Declutch Actuator (piece 7-1) causing it to rub against the groove in the Handwheel Declutch Sleeve (piece 19 of Figure 5.2).

### 6.9.3 Install the Motor (Refer to Figure 5.2)

1. Install the Motor Pinion (piece 38) and Elastic Stop Nut (piece 40) onto the motor shaft.  
**NOTE:** The elastic stop nut should not be reused. It is recommended that a new nut be used during reassembly.
2. Install conduit Nipple Flange (piece 30) and Seal (piece 42) onto the conduit nipple in the flange and secure the motor. Secure the nipple flange.

### 6.9.4 Lubrication Procedure

1. Set unit on mounting base.
2. Grease through the grease fitting located on the motor adapter, watch for grease entering the housing cavity.
3. Grease through the grease fitting in the housing cover until the adapter has been completely greased and grease can be seen entering the drive sleeve compartment.
4. Reposition the unit “nameplate down”.
5. Finish filling housing cavity through the gear limit switch opening to within ½” from the bottom of the gear limit switch opening.

### 6.9.5 Install Geared Limit Switch, Torque Switch and Finish Assembly

1. Install torque and limit switch into the switch compartment housing.  
**NOTE:** The limit switch must be reset before the actuator is placed back into service. The Torque Switch may need to be rebalanced. If required see Section 4.4.2, Balancing Torque Switch.
2. Connect all electrical leads in the switch compartment.
3. Replace the compartment cover, handwheel and thrust base, if applicable, to complete the assembly.

# 7

## How to Order Parts

To order parts or obtain further information about your Limitorque L120 valve actuators, contact your local Limitorque distributor sales office, or:

Flowserve Limitorque Actuation Systems  
5114 Woodall Road  
P.O. Box 11318  
Lynchburg, VA 24506-1318  
Telephone (434) 528-4400  
Fax (434) 845-9736

All inquiries or orders must be accompanied by the following information:

1. Actuator Size
2. Limitorque Order Number
3. Limitorque Serial Number

# 8

## Regulatory Information

**Application of Council Directive(s)**

2004/108/EC; EMC Directive

2006/42/EC; Machinery Directive

2003/10/EC; Airborne Noise Directive

**Standard(s) to which Conformity is Declared**

*Machinery*; EN 60204-1

*EMC - Emissions*; EN 50081-1&2, EN 55011, CFR 47

Immunity; EN 50082-1&2, IEC 801-3 &

IEC 801-6 ESD; IEC 801-2

EFT/Bursts; IEC 801-4

Surge Immunity; IEC 801-5, ANSI/IEEE C62.41

Mains (power)

Harmonics; MIL-STD-462, Method CS01 & CS02

*Airborne Noise*; MIL-STD-740-1, Table 1, and EN 60204

**Manufacturer's Name**

Flowserve Limitorque

**Manufacturer's Address**

5114 Woodall Road

Lynchburg, VA 24502

**Importer's Name**

Flowserve Limitorque

**Importer's Address**

Flowserve Limitorque

Euro House

Abex Road

Newbury

Berkshire, RG14 5EY

United Kingdom

**Type & Description of Equipment**

Valve Actuators

**Model Number**

L120 Series

Note: Tested with Limitorque products only and with standards applicable at time of tests.

I, the undersigned, hereby declare that the equipment specified above conforms to the above Directive(s) and Standard(s). List as follows:



(Signature)

Michael Mobley  
(Full Name)

Senior Engineer – Certifications  
(Title)

Flowserve Limitorque  
5114 Woodall Road  
Lynchburg, VA 24502  
(Place)

April 13, 2012  
(Date)



## Flowserve Corporation Flow Control

### United States

Flowserve Limatorque  
5114 Woodall Road  
P.O. Box 11318  
Lynchburg, VA 24506-1318  
Phone: 434-528-4400  
Facsimile: 434-845-9736

### England

Flowserve Limatorque  
Euro House  
Abex Road  
Newbury  
Berkshire, RG14 5EY  
United Kingdom  
Phone: 44-1-635-46999  
Facsimile: 44-1-635-36034

### Japan

Limatorque – Nippon Gear Co., Ltd.  
NOF Bldg. 9th Floor  
1-11-11, Kita-Saiwai, Nishi-Ku  
Yokohama (220-0004)  
Japan  
Phone: 81-45-326-2065  
Facsimile: 81-45-320-5962

### Singapore

Flowserve Limatorque  
12, Tuas Avenue 20  
Singapore 638824  
Phone: 65-6868-4628  
Facsimile: 65-6862-4940

### China

Limatorque Beijing, Pte., Ltd.  
RM A1/A2  
22/F, East Area, Hanwei Plaza  
No. 7 Guanghua Road, Chaoyang District  
Beijing 100004, Peoples Republic of China  
Phone: 86-10-5921-0606  
Facsimile: 86-10-6561-2702

### India

Flowserve Limatorque, Ltd.  
Plot No 4  
Export Promotional Industrial Park  
Whitefield, Bangalore 560066  
India  
Phone: 91-80-40146200  
Facsimile: 91-80-28410286

**To find your local Flowserve Limatorque representative:  
Visit [www.flowserve.com/limitorque](http://www.flowserve.com/limitorque) or call 1-434-528-4400**

FCD LMENIM1201-03 04/12 Printed in USA.

Flowserve Corporation has established industry leadership in the design and manufacture of its products. When properly selected, this Flowserve product is designed to perform its intended function safely during its useful life. However, the purchaser or user of Flowserve products should be aware that Flowserve products might be used in numerous applications under a wide variety of industrial service conditions. Although Flowserve can (and often does) provide general guidelines, it cannot provide specific data and warnings for all possible applications. The purchaser/user must therefore assume the ultimate responsibility for the proper sizing and selection, installation, operation, and maintenance of Flowserve products. The purchaser/user should read and understand the Installation Operation Maintenance (IOM) instructions included with the product, and train its employees and contractors in the safe use of Flowserve products in connection with the specific application.

While the information and specifications contained in this literature are believed to be accurate, they are supplied for informative purposes only and should not be considered certified or as a guarantee of satisfactory results by reliance thereon. Nothing contained herein is to be construed as a warranty or guarantee, express or implied, regarding any matter with respect to this product. Because Flowserve is continually improving and upgrading its product design, the specifications, dimensions and information contained herein are subject to change without notice. Should any question arise concerning these provisions, the purchaser/user should contact Flowserve Corporation at any one of its worldwide operations or offices.

© 2012 Flowserve Corporation, Irving, Texas, USA. Flowserve is a registered trademark of Flowserve Corporation.